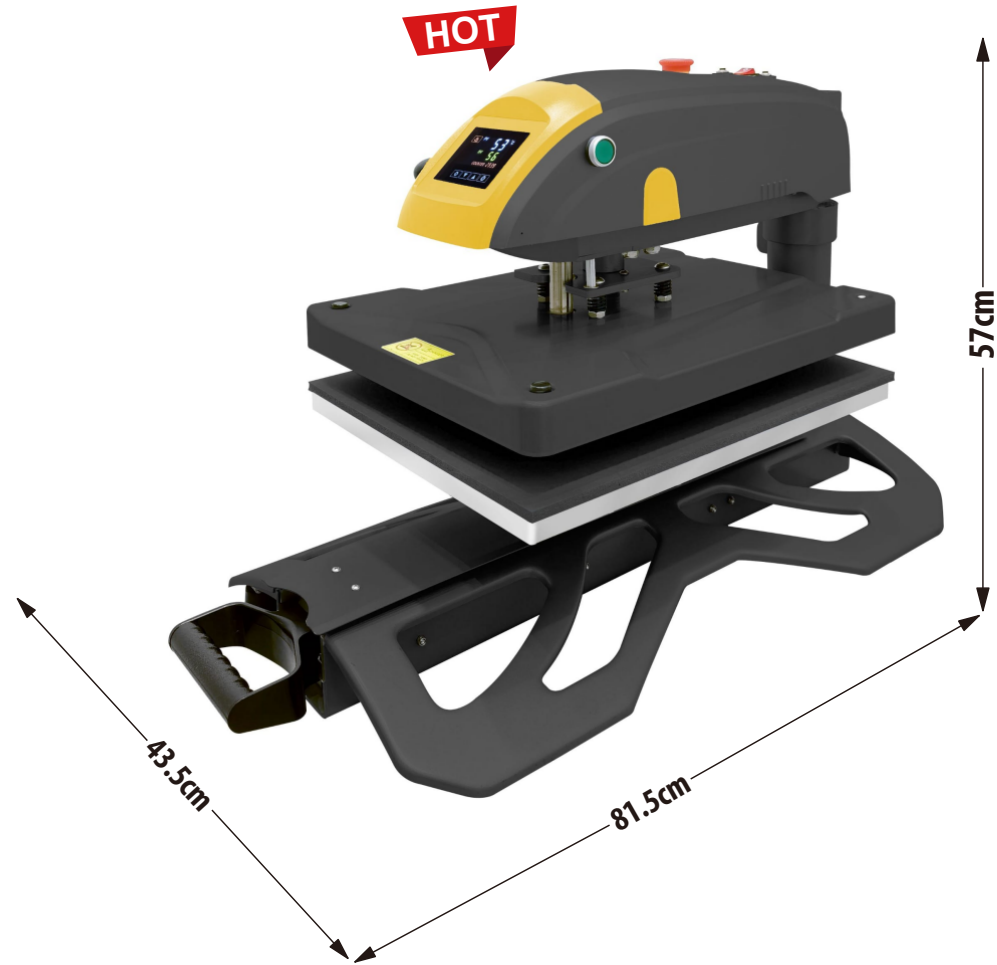




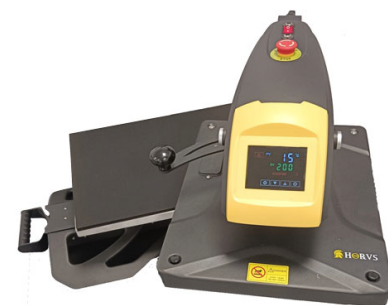
Plancha Eléctrica PE14050



▼ Parámetros Técnicos

| | |
|------------------------|----------------------|
| Model | PE14050 |
| Voltage | 110V/220V |
| Heat Plate | 40 x 50cm |
| Power | 1800W-2200W |
| Controller | LCD Controller V2 |
| Max. Temperature | 232 °C/ 450 °F |
| Temp. Accuracy | ±4 °F / 2 °C |
| Max. Pressing Force | 360kg |
| Working Style | Electronic Motor |
| Stand-by Feature | Max. 120 mins |
| Accept Thickness | ≤4.5cm |
| Dimensions (L x W x H) | 81.5 x 43.5 x 57cm |
| Packaging (L x W x H) | 86.5 x 54.5 x 72.5cm |
| Product Weight | 63kg |
| Shipping Weight | 68kg |
| Certificate | CE, RoHS |

With superior quality and high performance, this heat press brings you greater productivity in the sublimation. Electric design is with lower noise compared to heat press machine with air compressor. It is suitable for any sublimation or transferable product no matter which HTV or transfer paper incl. Trim-free laser paper. 5pcs optional quick-change lower platens, no tools required.



● Triple Thermal Protection

Two thermal protection devices connect separately with live wire and Neutral Wire, the third protection is heating plate with temperature protector which prevent abnormal temperature rise.



● Swing-away & Featured Pull-out Drawer

This EasyTrans Deluxe heat press is featured with a swing-away function and pull-out drawer enables you have sufficient space to load your garment. Additional magnetic system is applied to the drawer and make sure drawer not sliding back during the threading the T-shirt or not sliding out during press down handle.



● Thread-able & Interchangeable Base

This EasyTrans Press is installed with a featured base: 1. Quick changeable system enables you to change the different accessory platen in few seconds. 2. The thread-able base enables you to load or rotate the garment over the lower platen.



● Advanced LCD Controller

This heat press is also equipped with advanced LCD controller AT700 series, super precise in Temp control and read-out. User could set the applying pressure by controller setting (P-4 mode). The controller is also featured with Max. 120mins stand-by function (P-5 mode) make it energy saving and safety.